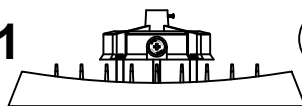




Read these instructions before commencing installation. Please give these instructions to the owner/occupier after installation to retain for future reference/maintenance.



To change the Wattage, CCT & Beam Angle of the fitting, Remove the round plastic cap on the side of the fitting to reveal the wattage selector switch.

Available finish: Black Only

IP65/IK08

240V~50Hz 120W/160W/200W

These fittings are Class I and must be Earthed

**Important Information**

It is recommended that these luminaires are installed and fitted by a qualified electrician ensuring the installation complies with current wiring regulations & local building control. These products are designed for connection to a 240V~50Hz supply. Any faulty, broken or damaged luminaires should be replaced immediately. KSR will not accept responsibility for any claims arising from a poor installation. Please Note: The limited warranty shall be deemed null and void in the following circumstances: Failure by the installer, end user or any third party to exercise caution to protect any covered product or part from outside damage, adverse temperature (normal operating ambient temperature -5 - +35°C), humidity conditions, fluctuations in the electrical system or physical abuse as well as failure related to workmanship in the installation of the products or parts.

**Important User Advice**

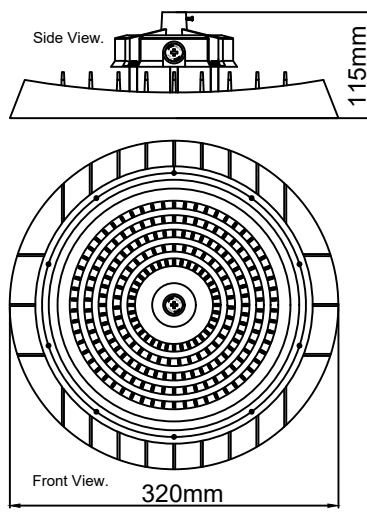
Always switch off mains supply before fitting or servicing. **This luminaire is suitable for indoor use only** and should not be fitted to damp or wet surfaces such as freshly plastered or painted surfaces. Do not use Megger or similar high voltage instruments. Due to the fact this luminaire contains electronic components that maybe damaged by high test voltages, they must be disconnected from the circuit before testing. To prevent damage to the luminaire, do not mix with conventional magnetic ballasts on the same electrical circuit. At the end of life the luminaire is classed as WEEE and should be disposed of in accordance with local legislation.

**Installation Procedure**

Isolate Mains before Installation **Eye Hook Suspension Option** Using the **Suspension Eye hook provided** and suitable suspension method, ensure screw lock on eye hook is fully tightened before proceeding to wire luminaire to mains. As per Fig.1. Connect luminaire mains cable to Mains Supply (L,E,N) using an appropriate in line connector, Connect 1-10V dimming lines if required (Pink - NEG & Purple + POS). Select the desired Wattage, CCT & Beam Angle - Fig.2 (never do this with the fitting powered) Turn on Mains and Test Luminaire

If using optional KSR98324 PIR Sensor or KSR98325 MW Sensor accessories please refer to the individual instruction sheets when using these & the KSR98326 Remote Control Programmer.

**KSR98321 - Dimensions**  
Supplied with 1M Mains Cable



Optional 1 - 10V Dimming as Standard Pink - Negative Purple + Positive

Optional Reflectors Available - in Spun Aluminium or Polycarbonate

Selectable Wattage, Colour Temperature (CCT) & Beam Angles				
Product Code	Description	Wattage	CCT	Beam°
KSR98321	Rocca PRO HBX 120W/160W/200W 3CCT, 3 Beam Angles LED High Bay.	120W	4000K	70°
			5000K	90°
			6000K	120°
		160W	4000K	70°
			5000K	90°
			6000K	120°
		200W	4000K	70°
			5000K	90°
			6000K	120°

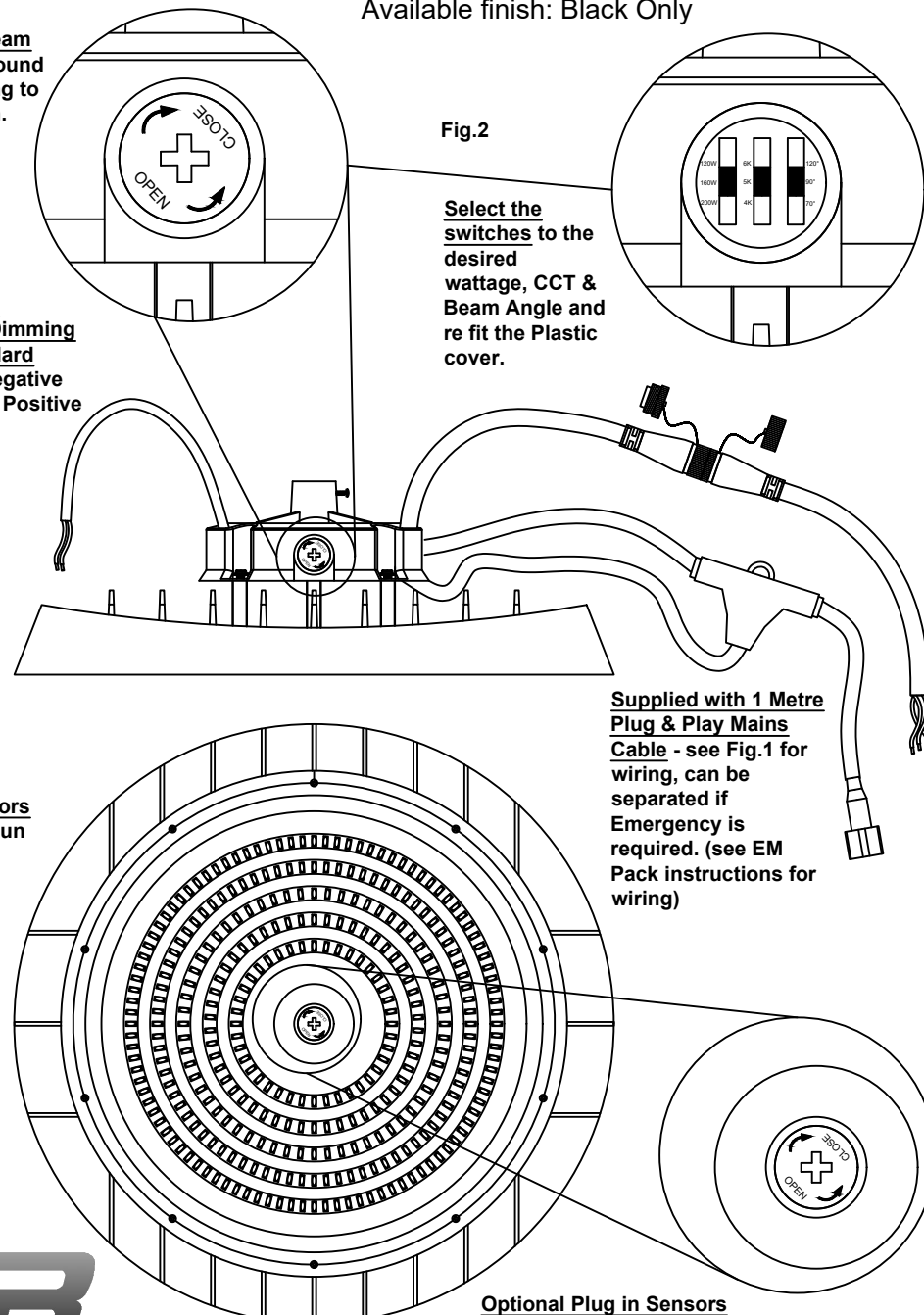
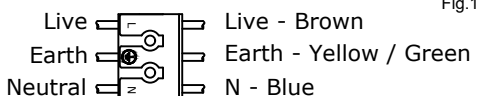


Fig.2

Select the switches to the desired wattage, CCT & Beam Angle and re fit the Plastic cover.

Supplied with 1 Metre Plug & Play Mains Cable - see Fig.1 for wiring, can be separated if Emergency is required. (see EM Pack instructions for wiring)



This product contains a light source of energy efficiency class E The LED light source and Control Gear in this product is Non-replaceable.



Optional Plug in Sensors available, remove cap and screw in desired sensor - PIR or Microwave + Remote Control.